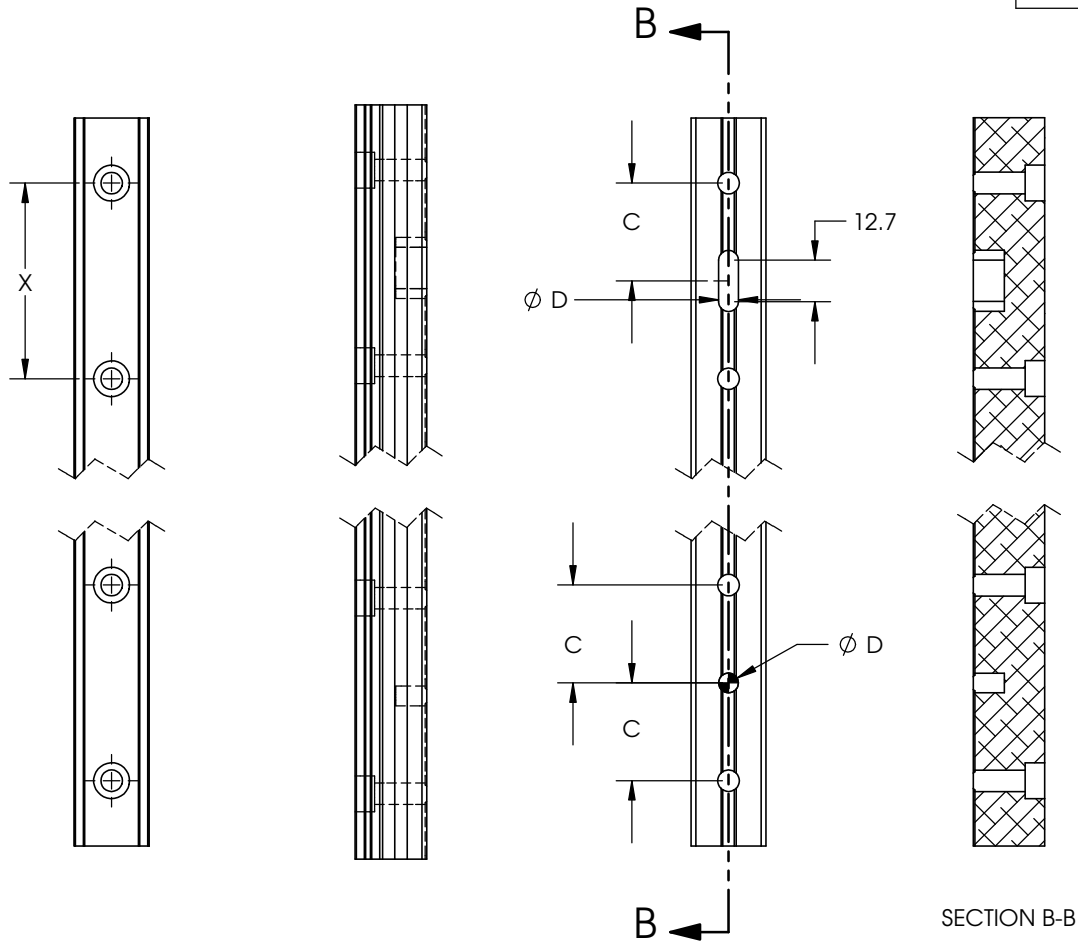


DIMENSION TABLE			
PART NUMBER	D	X	C
MSA15 __- __/ __ N-M080	6.38(.2510")	60	30
MSA20 __- __/ __ N-M080	6.38(.2510")	60	30
MSA25 __- __/ __ N-M080	6.38(.2510")	60	30
MSA15 __- __/ __ N-D080	6.05	60	30
MSA20 __- __/ __ N-D080	6.05	60	30
MSA25 __- __/ __ N-D080	6.05	60	30



FINISH:	
PART NAME:	AccuTech Rail
USED ON:	
DRAWN BY:	DATE:
SCALE:	PART/DWG NO:
2:3	Rail Print
MATERIAL:	SIZE
	B

TOLERANCES UNLESS OTHERWISE SPECIFIED:  
 .X & FRACT = ±.06 ±1.5 MM  
 .XX = ±.01 ±.25MM  
 .XXX = ±.005 ±.12 MM  
 .XXXX = ±.0005 ±.013 MM  
 ANG = ±.5° ±.5°  
 BREAK ALL SHARP EDGES

**ACCUTECH - MICHIGAN**  
**9652 Black River Ct, Suite 10**  
**HOLLAND, MI. 49424**